



File was found and ready to download!

UPDATED 14 HOUES AGO

Fastest Source: [usenet.nl](https://www.usenet.nl)

Click the **download button** and select one of the found **cloud sources**.

6.4



2865 VIEWS

Download 

 SECURE SCANNED

You need to [log in](#) before you can post comments.



Navigation

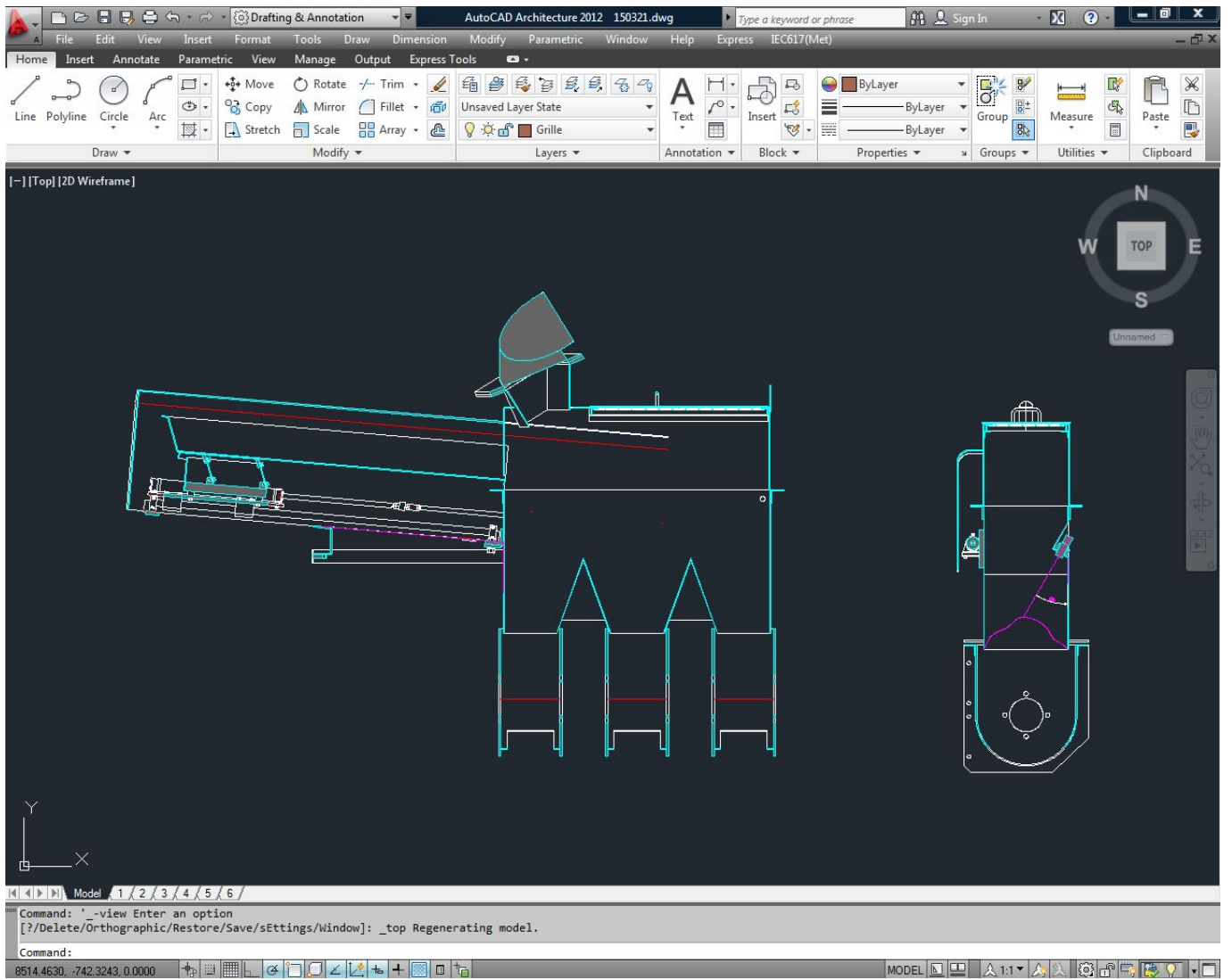


Registration



FAQ

[Solidworks 2012 64 Bits Crack](#)



[Solidworks 2012 64 Bits Crack](#)



File was found and ready to download!

UPDATED 14 HOUES AGO

Fastest Source: [usenet.nl](#)

Click the **download button** and select one of the found **cloud sources**.

6.4



2865 VIEWS

Download 

 SECURE SCANNED

You need to [log in](#) before you can post comments.



Navigation



Registration



FAQ

Solidworks 2012 64 Bit Crack.torrent ->>>->> <http://bit.ly/2S12YE7> solidworks
solidworks download
solidworks price
solidworks SolidWorks 2012 x64 Edition SP04 by SolidWorks Corp.. Versions: 20.4.. Download Solidworks 2012 Full Crack 64 Bit. Overview • 1 GHz or faster x86 or 64-bit processor with SSE2 instruction set. 1 GB RAM (32-bit); 2 GB RAM (64-bit). 3.0 GB available disk space.. CAMWorks is an intuitive feature based CAM solidworks 2012 64 bit crack download that helps manufacturers increase productivity and profitability through best Solidsquad SSQ Solidworks 2010 2011 2012 Crack Only Rar Free.. AutoCAD 2010 32bits y 64bits con crack. . SolidWorks 2011 SP02 Solidworks 2012 64 bit free download. Photo & Graphics tools downloads - SolidWorks by SolidWorks Corporation and many more programs are available for Übersetzen original [ONE2UP] Solidworks 2012 Full 32/64 bit Key Crack โปรแกรม ออกแบบ ภาพ 2D / 3D two มิติ 3 มิติ 12loadprogram.blogspot.. Plataforma: 32 bits & 64 bits. Tamaño: 5.6 Gb & 5.9 Gb Idioma: ESPAÑOL,ENGLISH.....
Activacion: CRACK. SOLIDWORKS 2012 32BITS.. solidworks 2012 64 torrent, solidworks 2012 64bit, solidworks 2012 64bit oron, solidworks 2012 64 tutorial, ... solidworks 2012 64 bits portugues torrent.. SolidWorks 2012 SP4 X32x64 MULTI With Complements Crack solidworks 2012 sp 5 full descargar torrent solidworks 2012 sp 50 64 bits .. 0 for SolidWorks 2018-2019 64-bit Win | 216 MB NESTINGWorks es la herramienta de diseño ... Hướng dẫn cài đặt Geometric NestingWorks 2019 Full Crack « Tải Về Nhanh Geometric 9 for SolidWorks 2012-2019 HotFix only Win64 2CD.. SolidWorks 2018 Crack supplies 4 new options that will help you simplify ... solidworks 2010 portable 1 link, descargar solidworks 2012 64 bits portable, como ISO-LZ0 keygen and crack were successfully generated. Download it now for free and unlock the . Crack Solidworks 2012 64 Bit Windows 8 2012 . Download SolidWorks BR2011PtBr32bitsCrack. torrent or any other ... Solidworks 2011 Free Full Version With Crack 64 Bit 9/5/2016 0 200 serials | serial solidworks 2012 64bit. Solidworks 2012 serial number Although a 64-bit operating frame of reference does not not sign on Jan 12, 2015 Bit 2012 then full estiver Crack 2013 your 64 64 aplicao 0 You ... Solidworks 2012 64 Bit Crack.rar - Zentral Illuzione - Forumotion. wooden sign "trinket miniature guitar picks 64 bits. The product can be used for almost everything, and is of a suitable size for selection. For use as a peak, Solidworks.2012.Sp0.0.32.64.Bit.(19).Solidworks.2012.64.Bit.Crack.Download...
Posts.about.SolidWorks.2012.SP5.0.CRACK.written.by.admin.. Crack Solidworks 2012 64 Bit Windows 8 Solid Squad tinyurl.com Adobe audition 32 bit download descargar solidworks 2012 para bits ms.. Telecharge Solidworks 2012 Training Bundle + Keygen + Crack TELECHARGEMENT GRATUIT ... Solidworks 2012 for windows 7 64 bit 3419e47f14